

Europe Bill Acceptor

EBA - 03

CHAPTER 6

Trouble Shooting

DWG No. 3110-06-01

Date 2000-04



JAPAN CASH MACHINE CO., LTD.

Copyright © 2000 Japan Cash Machine Co., Ltd.

Contents

Introduction	1
1 Connecting EBA-03 and VM-450	2
2 DIP Switch Settings of EBA-03 and VM-450	2
3 Trouble Categories	3-5
4 Error Codes	6

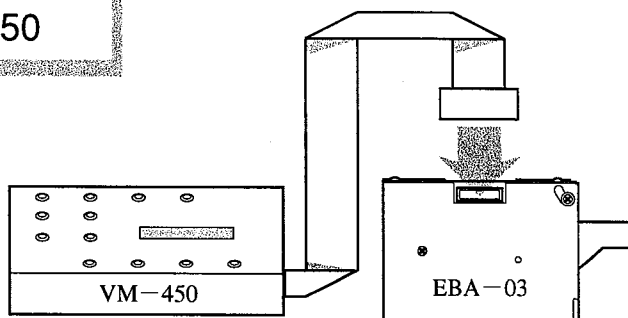
Introduction

A number of troubles occur from minor causes. Before you start repairing the unit, check the unit. For example, make sure that a connector is connected properly; the tray of acceptor is closed firmly and so on.

Dirt (paper particles, dust, etc.) in the tray will lower the accepting rate of bills. Be sure to clean the internal parts periodically.

You can identify a trouble cause by carrying out the performance test described in Chapter 7. You can also use the disassembling procedure (Chapter 4), wiring diagram (Chapter 5), and adjustment procedure (Chapter 7) as required.

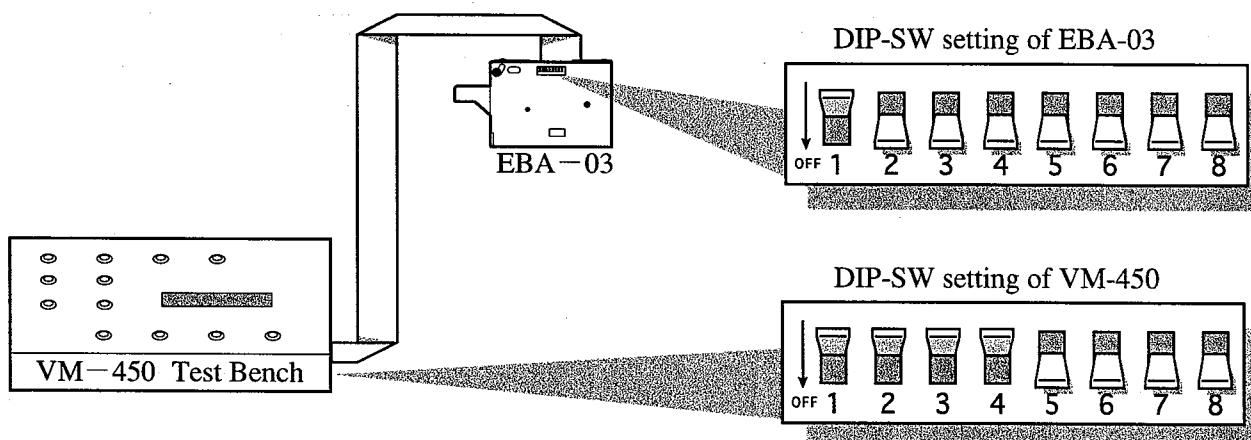
1 Connecting EBA-03 and VM-450



Note: A 26-pin-to-10-pin connector cable (3110-05-10) is required to connect EBA-03 and VM-450.

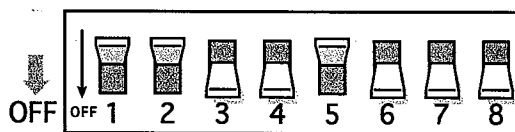
2 DIP Switch Settings of EBA-03 and VM-450

(1) Power OFF EBA-03 and VM-450 and set them to test mode.



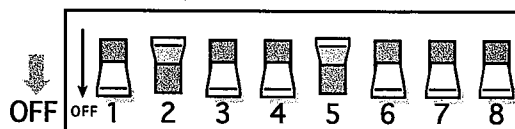
(2) After powering ON both devices, set No. 2 and No. 5 of DIP-SW1 (EBA-03) to ON to select the bill acceptance test.

When the devices are powered ON, the BUSY LED on VM-450 will light and the red LED and green LED on the CPU board of EBA-03 will also light to inform you that the performance test as been started.



(3) Set No. 1 of DIP-SW1 (EBA-03) to OFF. After initialization, the bill acceptance test will start.

See whether the acceptor accepts a bill and the VEND1 LEDs on VM-450 flash. The number of flashing LEDs will vary depending on the type of currency accepted.



Troubleshooting

3 Trouble Categories

The causes of trouble are roughly divided into the following four types. Check the operation status.

(1) The test mode does not start.

Page 4

(2) Initialization error.

Page 4

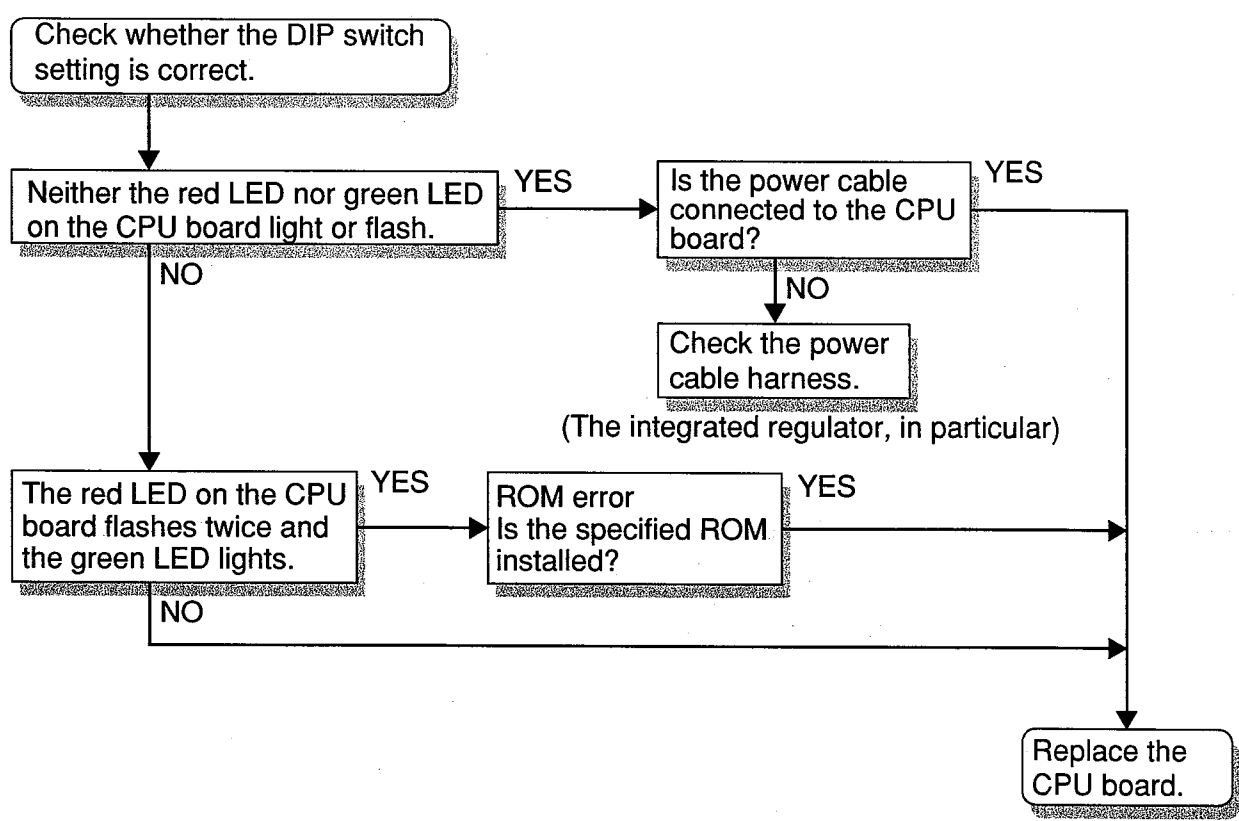
(3) A bill is rejected or the rate of acceptance is poor.

Page 5

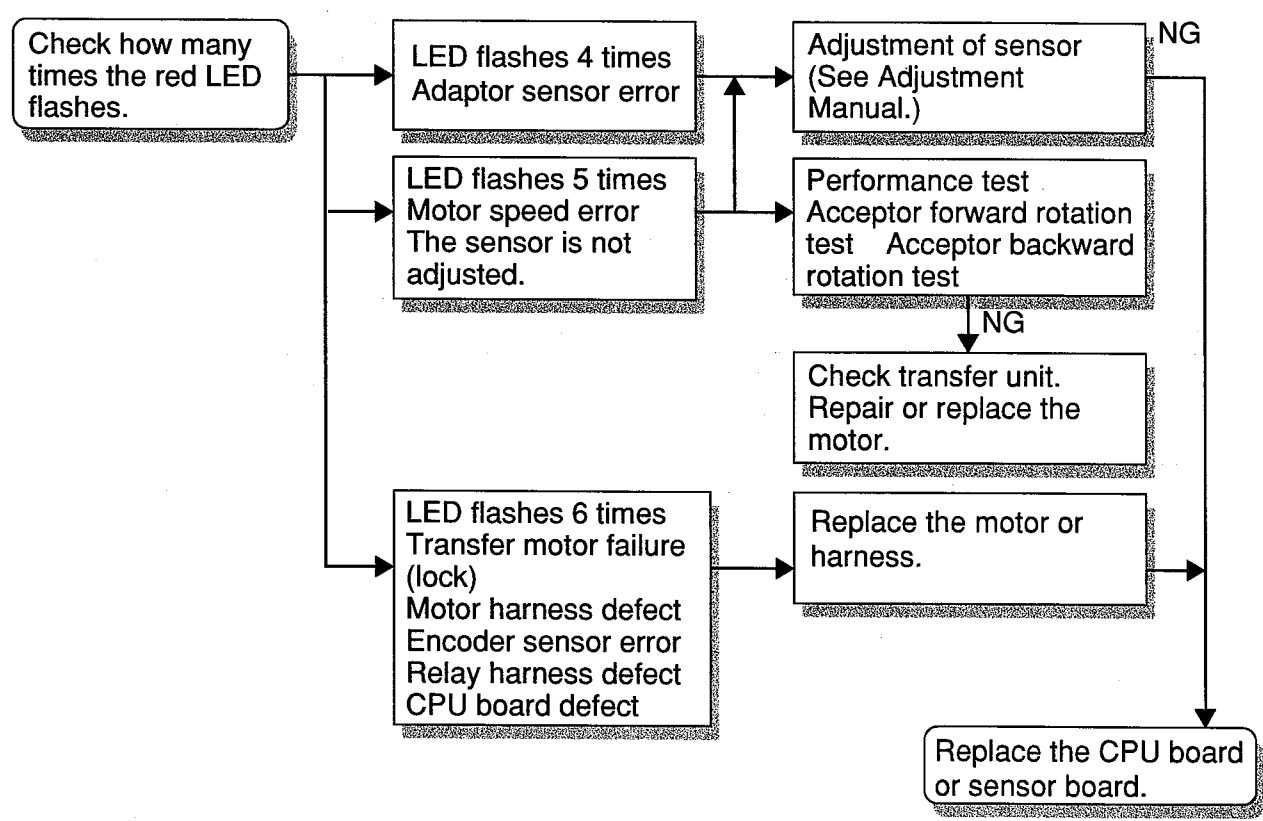
(4) A bill is not transferred smoothly.

Page 5

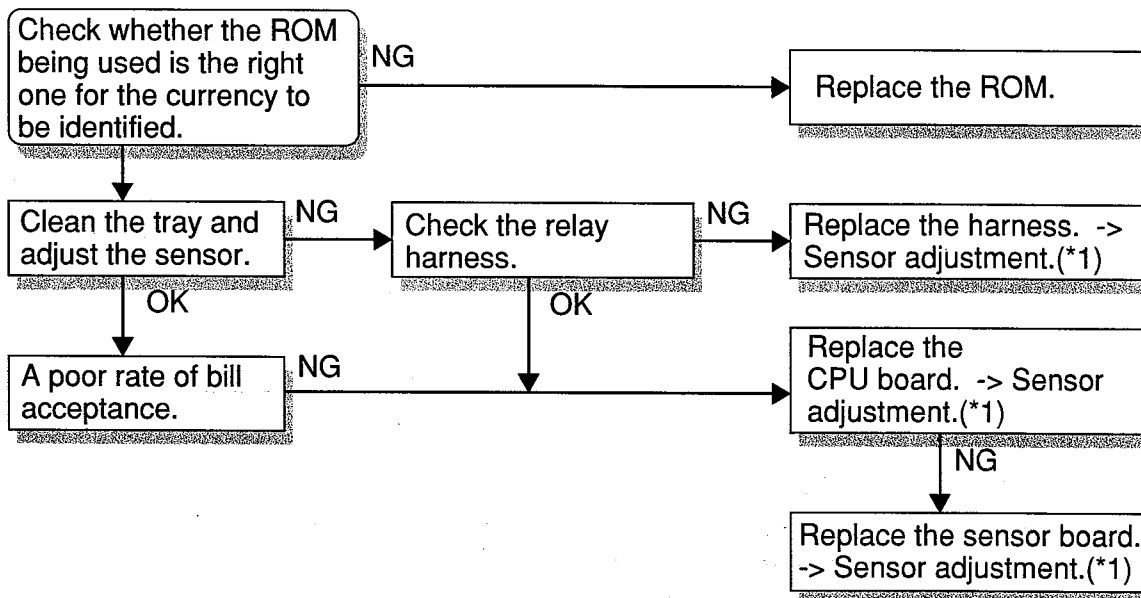
(1) The test mode does not start.



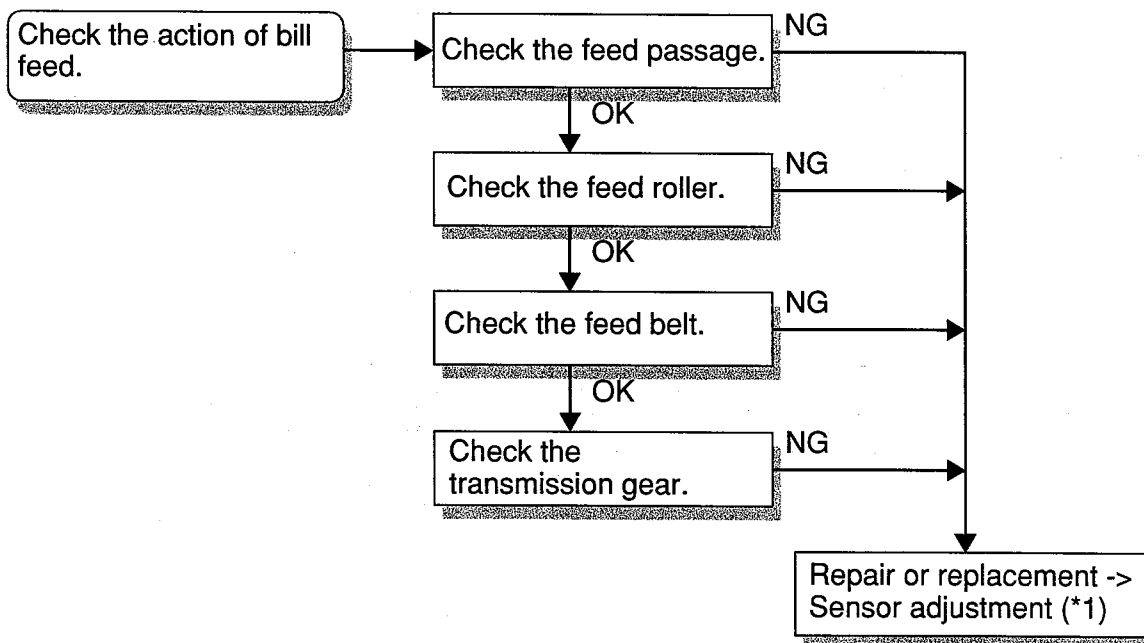
(2) Initialization error



(3) A bill is rejected or the rate of acceptance is poor.



(4) A bill is not transferred smoothly.



*1: See the "Adjustment Manual" (Chapter 7) for the sensor adjustment procedure.

Troubleshooting

4 Error Codes

Error Code (Trouble) List

Number of times the red LED flashes	Description of error
1	Reserved
2	Reserved
3	Reserved
4	A bill stayed in the feed passage.
5	(1) Acceptor feed motor speed error (2) The acceptor sensor is not adjusted.
6	(1) The acceptor motor does not rotate. (2) The acceptor sensor does not stop. (3) No signal is sent from the encoder sensor of the acceptor.
7	Reserved
8	Reserved
9	Reserved
10	Reserved
11	Reserved
12	Sensor turned ON at unexpected timing during normal operation (tampering)

Rejection Code List

Number of times the green LED flashes	Description of error
1	A bill was inserted crookedly. (Crooked insertion)
2	Reserved
3	A bill stayed in the acceptor. (Paper jam)
4	Optical sensor error 1 (X-ray error)
5	Bill feed error. (Sync detect error)
6	Identification error 1 (Near error)
7	Optical sensor error 2 (Pattern error)
8	Optical sensor error 3 (Photo level error)
9	Optical sensor error 3 (Photo level error)
10	A reject signal is input. (Reject error)
11	Reserved
12	Back sensor error (Back sensor error)
13	Illegal bill length (Length error)
14	Optical sensor error 4 (Infrared error)
15	Optical sensor error 5 (Counterfeit bill)